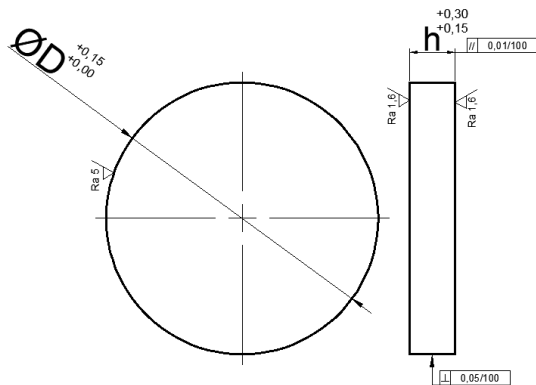


Płyty okrągłe

Round plates

PR



Obrys frezowany, grubość szlifowana
Milled outline, ground thickness

D	h	mate- rial	NR KAT.
95	9	2312	PR-95*9/2312
	9	2311	PR-95*9/2311
	9	1730	PR-95*9/1730
	12	2312	PR-95*12/2312
	12	2311	PR-95*12/2311
	12	1730	PR-95*12/1730
	17	2312	PR-95*17/2312
	17	2311	PR-95*17/2311
	17	1730	PR-95*17/1730
	22	2312	PR-95*22/2312
	22	2311	PR-95*22/2311
	22	1730	PR-95*22/1730
	27	2312	PR-95*27/2312
	27	2311	PR-95*27/2311
	27	1730	PR-95*27/1730
	36	2312	PR-95*36/2312
	36	2311	PR-95*36/2311
	36	1730	PR-95*36/1730
96	46	2312	PR-95*46/2312
	46	2311	PR-95*46/2311
	46	1730	PR-95*46/1730
	9	2312	PR-96*9/2312
	9	2311	PR-96*9/2311
	9	1730	PR-96*9/1730
116	12	2312	PR-96*12/2312
	12	2311	PR-96*12/2311
	12	1730	PR-96*12/1730
	9	2312	PR-116*9/2312
	9	2311	PR-116*9/2311
	9	1730	PR-116*9/1730
116	12	2312	PR-116*12/2312
	12	2311	PR-116*12/2311
	12	1730	PR-116*12/1730
	17	2312	PR-116*17/2312
	17	2311	PR-116*17/2311
	17	1730	PR-116*17/1730

D	h	mate- rial	NR KAT.
116	17	2312	PR-116*17/2312
	17	2311	PR-116*17/2311
	17	1730	PR-116*17/1730
	22	2312	PR-116*22/2312
	22	2311	PR-116*22/2311
	22	1730	PR-116*22/1730
	27	2312	PR-116*27/2312
	27	2311	PR-116*27/2311
	27	1730	PR-116*27/1730
	36	2312	PR-116*36/2312
	36	2311	PR-116*36/2311
	36	1730	PR-116*36/1730
	46	2312	PR-116*46/2312
	46	2311	PR-116*46/2311
	46	1730	PR-116*46/1730
	56	2312	PR-116*56/2312
	56	2311	PR-116*56/2311
	56	1730	PR-116*56/1730
130	9	2312	PR-130*9/2312
	9	2311	PR-130*9/2311
	9	1730	PR-130*9/1730
	17	2312	PR-130*17/2312
	17	2311	PR-130*17/2311
	17	1730	PR-130*17/1730
156	9	2312	PR-156*9/2312
	9	2311	PR-156*9/2311
	9	1730	PR-156*9/1730
	12	2312	PR-156*12/2312
	12	2311	PR-156*12/2311
	12	1730	PR-156*12/1730
156	17	2312	PR-156*17/2312
	17	2311	PR-156*17/2311
	17	1730	PR-156*17/1730
	17	2312	PR-156*17/2312
	17	2311	PR-156*17/2311
	17	1730	PR-156*17/1730

D	h	mate- rial	NR KAT.
156	22	2312	PR-156*22/2312
	22	2311	PR-156*22/2311
	22	1730	PR-156*22/1730
	27	2312	PR-156*27/2312
	27	2311	PR-156*27/2311
	27	1730	PR-156*27/1730
	36	2312	PR-156*36/2312
	36	2311	PR-156*36/2311
	36	1730	PR-156*36/1730
	46	2312	PR-156*46/2312
	46	2311	PR-156*46/2311
	46	1730	PR-156*46/1730
	56	2312	PR-156*56/2312
	56	2311	PR-156*56/2311
	56	1730	PR-156*56/1730
	66	2312	PR-156*66/2312
	66	2311	PR-156*66/2311
	66	1730	PR-156*66/1730
166	12	2312	PR-166*12/2312
	12	2311	PR-166*12/2311
	12	1730	PR-166*12/1730
	17	2312	PR-166*17/2312
	17	2311	PR-166*17/2311
	17	1730	PR-166*17/1730
196	9	2312	PR-196*9/2312
	9	2311	PR-196*9/2311
	9	1730	PR-196*9/1730
	17	2312	PR-196*17/2312
	17	2311	PR-196*17/2311
	17	1730	PR-196*17/1730
196	22	2312	PR-196*22/2312
	22	2311	PR-196*22/2311
	22	1730	PR-196*22/1730
	22	2312	PR-196*22/2312
	22	2311	PR-196*22/2311
	22	1730	PR-196*22/1730

Płyty okrągłe

Round plates

PR

D	h	mate- rial	NR KAT.	D	h	mate- rial	NR KAT.	D	h	mate- rial	NR KAT.
196	27	2312	PR-196*27/2312	296	12	2312	PR-296*12/2312	400	16	2312	PR-400*16/2312
	27	2311	PR-196*27/2311		12	2311	PR-296*12/2311		16	2311	PR-400*16/2311
	27	1730	PR-196*27/1730		12	1730	PR-296*12/1730		16	1730	PR-400*16/1730
	36	2312	PR-196*36/2312		17	2312	PR-296*17/2312		20	2312	PR-400*20/2312
	36	2311	PR-196*36/2311		17	2311	PR-296*17/2311		20	2311	PR-400*20/2311
	36	1730	PR-196*36/1730		17	1730	PR-296*17/1730		20	1730	PR-400*20/1730
	46	2312	PR-196*46/2312		22	2312	PR-296*22/2312		25	2312	PR-400*25/2312
	46	2311	PR-196*46/2311		22	2311	PR-296*22/2311		25	2311	PR-400*25/2311
	46	1730	PR-196*46/1730		22	1730	PR-296*22/1730		25	1730	PR-400*25/1730
	56	2312	PR-196*56/2312		27	2312	PR-296*27/2312		32	2312	PR-400*32/2312
	56	2311	PR-196*56/2311		27	2311	PR-296*27/2311		32	2311	PR-400*32/2311
	56	1730	PR-196*56/1730		27	1730	PR-296*27/1730		32	1730	PR-400*32/1730
	66	2312	PR-196*66/2312		36	2312	PR-296*36/2312		40	2312	PR-400*40/2312
	66	2311	PR-196*66/2311		36	2311	PR-296*36/2311		40	2311	PR-400*40/2311
	66	1730	PR-196*66/1730		36	1730	PR-296*36/1730		40	1730	PR-400*40/1730
	206	12	2312		PR-206*12/2312	46	2312		PR-296*46/2312	50	2312
12		2311	PR-206*12/2311	46	2311	PR-296*46/2311	50	2311	PR-400*50/2311		
12		1730	PR-206*12/1730	46	1730	PR-296*46/1730	50	1730	PR-400*50/1730		
17		2312	PR-206*17/2312	56	2312	PR-296*56/2312	60	2312	PR-400*60/2312		
17		2311	PR-206*17/2311	56	2311	PR-296*56/2311	60	2311	PR-400*60/2311		
17		1730	PR-206*17/1730	56	1730	PR-296*56/1730	60	1730	PR-400*60/1730		
246	12	2312	PR-246*12/2312	66	2312	PR-296*66/2312	70	2312	PR-400*70/2312		
	12	2311	PR-246*12/2311	66	2311	PR-296*66/2311	70	2311	PR-400*70/2311		
	12	1730	PR-246*12/1730	66	1730	PR-296*66/1730	70	1730	PR-400*70/1730		
	17	2312	PR-246*17/2312	17	2312	PR-344*17/2312					
	17	2311	PR-246*17/2311	17	2311	PR-344*17/2311					
	17	1730	PR-246*17/1730	17	1730	PR-344*17/1730					
	22	2312	PR-246*22/2312	22	2312	PR-344*22/2312					
	22	2311	PR-246*22/2311	22	2311	PR-344*22/2311					
	22	1730	PR-246*22/1730	22	1730	PR-344*22/1730					
	27	2312	PR-246*27/2312	27	2312	PR-344*27/2312					
	27	2311	PR-246*27/2311	27	2311	PR-344*27/2311					
	27	1730	PR-246*27/1730	27	1730	PR-344*27/1730					
	36	2312	PR-246*36/2312	36	2312	PR-344*36/2312					
	36	2311	PR-246*36/2311	36	2311	PR-344*36/2311					
	36	1730	PR-246*36/1730	36	1730	PR-344*36/1730					
	46	2312	PR-246*46/2312	46	2312	PR-344*46/2312					
	46	2311	PR-246*46/2311	46	2311	PR-344*46/2311					
	46	1730	PR-246*46/1730	46	1730	PR-344*46/1730					
	56	2312	PR-246*56/2312	56	2312	PR-344*56/2312					
	56	2311	PR-246*56/2311	56	2311	PR-344*56/2311					
	56	1730	PR-246*56/1730	56	1730	PR-344*56/1730					
	66	2312	PR-246*66/2312	66	2312	PR-344*66/2312					
	66	2311	PR-246*66/2311	66	2311	PR-344*66/2311					
	66	1730	PR-246*66/1730	66	1730	PR-344*66/1730					