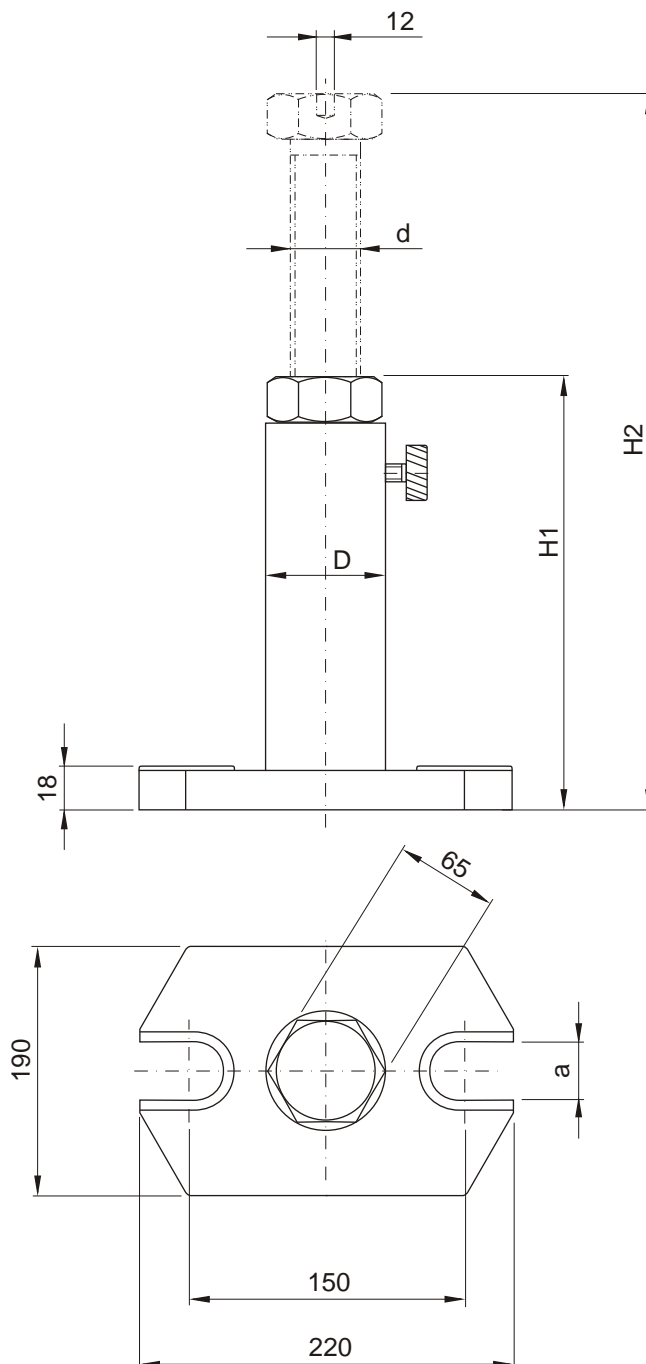
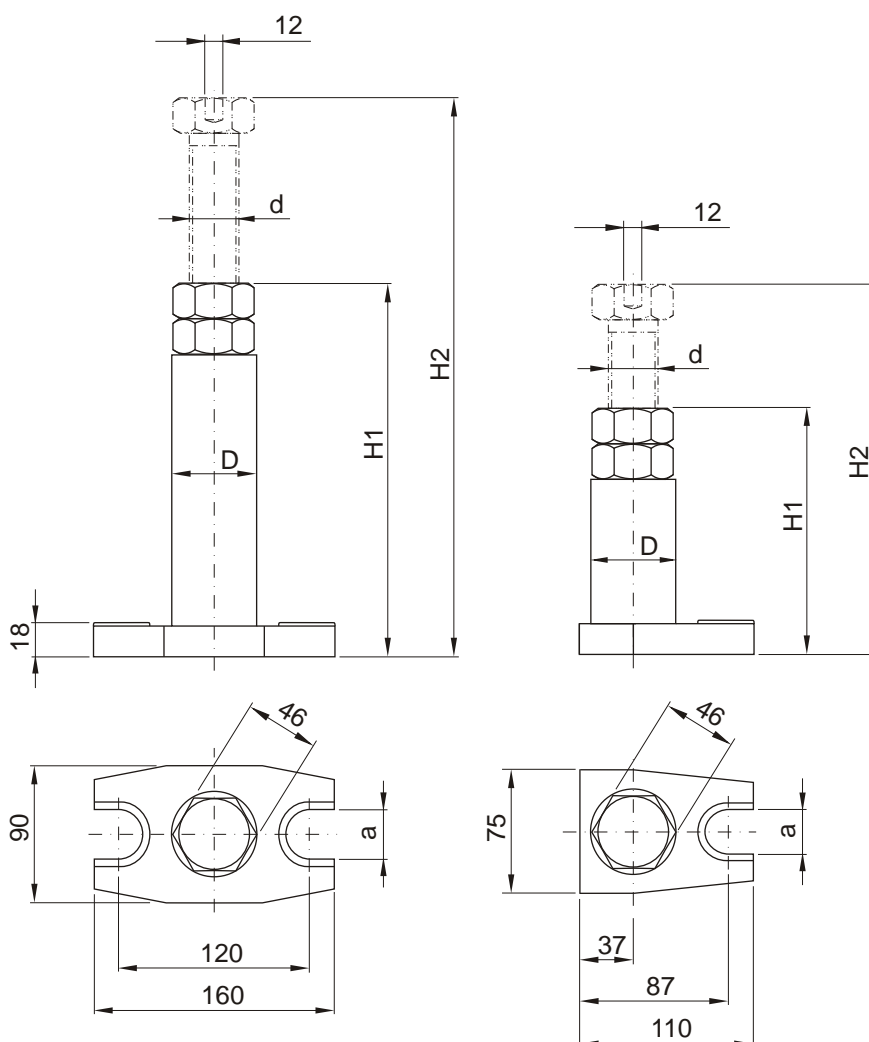


LT191



NR KAT.	d	H1	H2	D	a	waga weight [kg]
LT191-701	Tr40x7	200	300	70	26	8,0
LT191-702		280	460			12,0
LT191-703		430	750			12,6
LT191-704		710	1250			16,5

LT191



NR KAT.	d	H1	H2	D	a	waga weight [kg]
LT191-501	Tr30x6	100	140	50	18	1,75
LT191-502		140	200			2,20
LT191-503		200	320		22	3,40
LT191-504		320	550			4,85