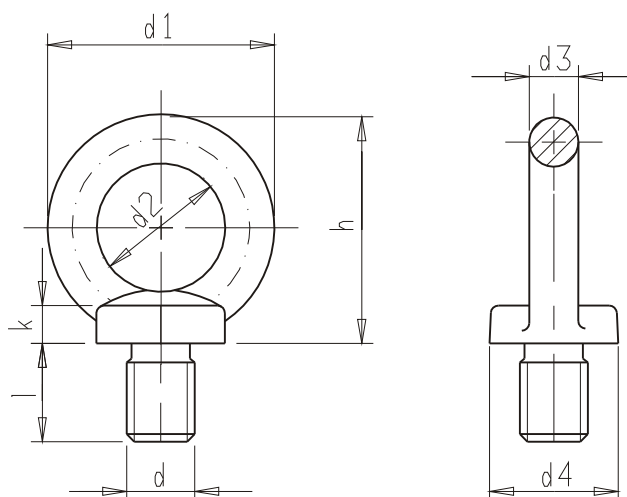


SUM



NR KAT	SUM-08	SUM-10	SUM-12	SUM-16	SUM-20	SUM-24	SUM-30	SUM-36
d	M8	M10	M12	M16	M20	M24	M30	M36
d 1	36	45	54	63	71	90	108	126
d 2	20	25	30	35	40	50	60	70
d 3	8	10	12	14	16	20	24	28
d 4	20	25	30	35	40	50	60	70
h	36	45	53	62	70	90	109	128
k	6	8	10	12	14	16	22	27
l	13	17	20.5	27	30	36	45	54

Nośność Q max. [kg]	SUM-08	SUM-10	SUM-12	SUM-16	SUM-20	SUM-24	SUM-30	SUM-36
	140	230	340	700	1200	1800	3200	4600
	100	170	240	500	860	1290	2300	3300

Na specjalne zamówienie dostarczymy śruby z uchem - calowe.
Lifting eye bolts with thread inch on request